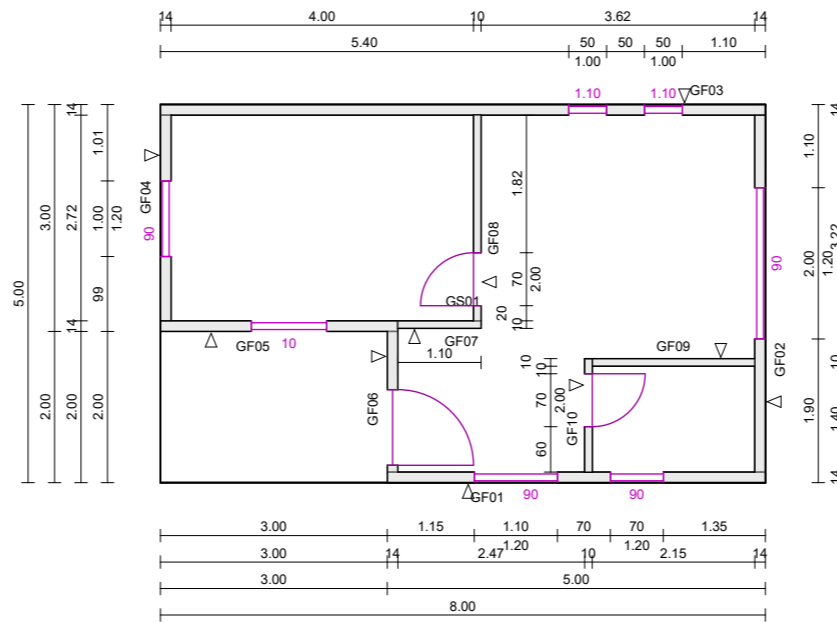
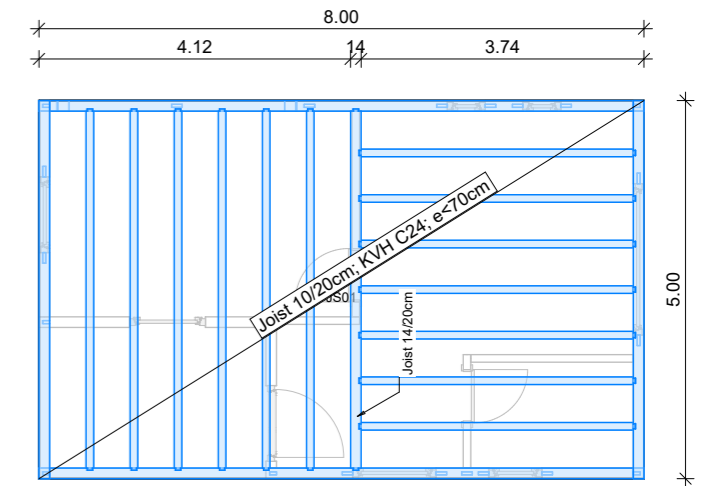


Rafter System

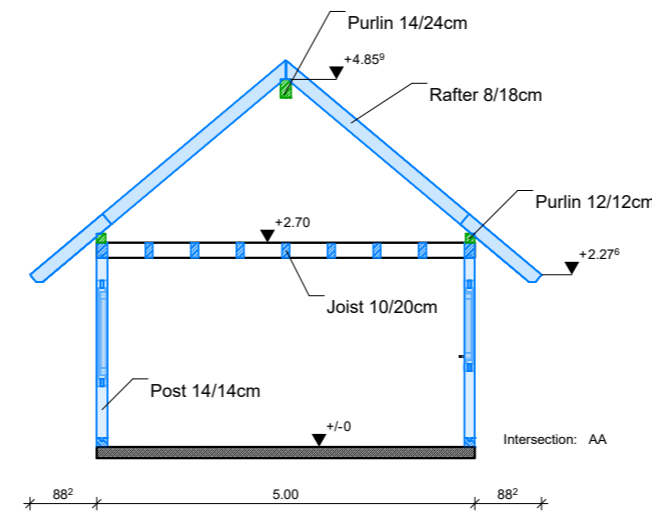
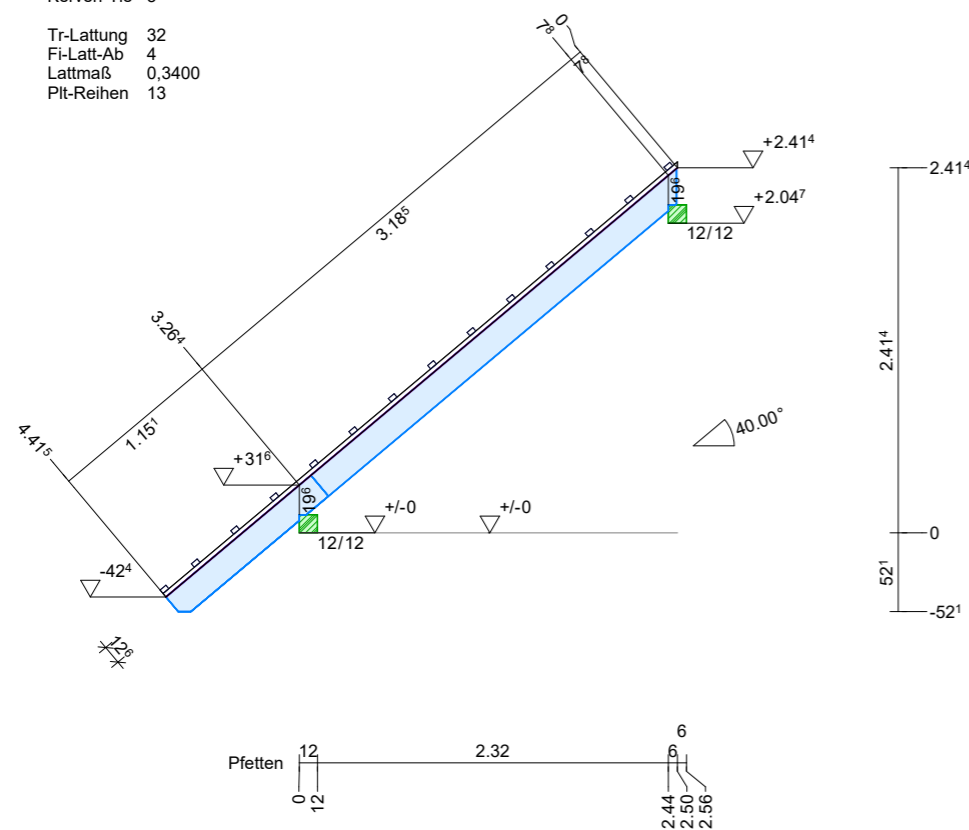


Ground View



Joist System

- | Abbund | HD-Fläche |
|------------|-----------|
| Sparren Br | 8 |
| Sparren Hö | 18 |
| 1.Trf-Wink | 90,00 |
| 1.Abschn-L | 12° |
| 2.Trf-Wink | 40,00 |
| 2.Abschn-L | 8° |
| Obholz(s) | 19° |
| Obholz(rw) | 15 |
| Kerven-Tie | 3 |
| Tr-Lattung | 32 |
| Fi-Latt-Ab | 4 |
| Lattmaß | 0,3400 |
| PfL-Reihen | 13 |



Intersection A-A

S E M A GmbH

Salzstraße 25
87499 Wildpoldsried
Phone: +49 8304-939-0
E-Mail: sema@sema-soft.de



Component : Beginners Course

24.01.2022

BP : Holiday Home
Town :
Customer :
Editor :

S : 1 : 100